

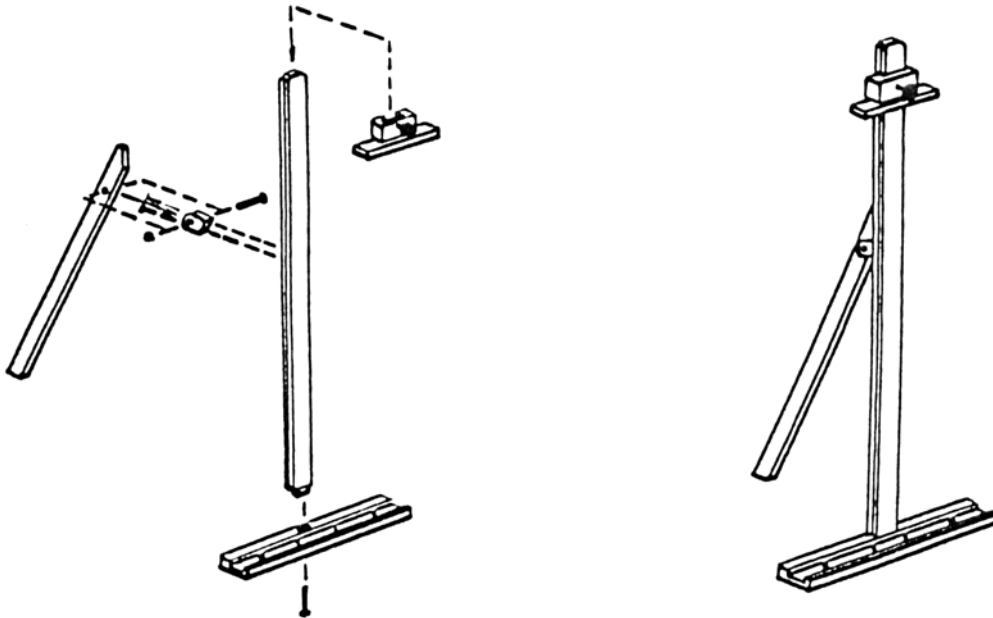
Bag contents:

- 1 - U-shaped bracket
- 1 - 1 1/2" screw
- 1 - 1" bolt w/nut & washer
- 2 - 1/2" screws
- 2 - plastic plugs

Parts:

- 1) Base
- 2) Mast
- 3) Back Leg
- 4) Top Canvas Holder

1. Place the Mast into the Base as shown in the diagram.
2. Insert the 1 1/2" screw into the bottom of the Base and tighten.
3. Using the 1/2" screws, attach the U-shaped bracket to the back of the mast.
4. Place the Back Leg into the U-shaped bracket making sure all the holes line up.
5. Place the washer on the 1" bolt and insert it through the U-shaped bracket and Back Leg. Screw the nut on the exposed end of the bolt and tighten.
6. Slide the Top Canvas Holder onto the Mast as depicted in the diagram and adjust it to the required height.



NOTE: To assure stability of easel, use wood glue.

Make sure the easel is put together correctly *FIRST*, before using glue to permanently insert wooden dowels.