



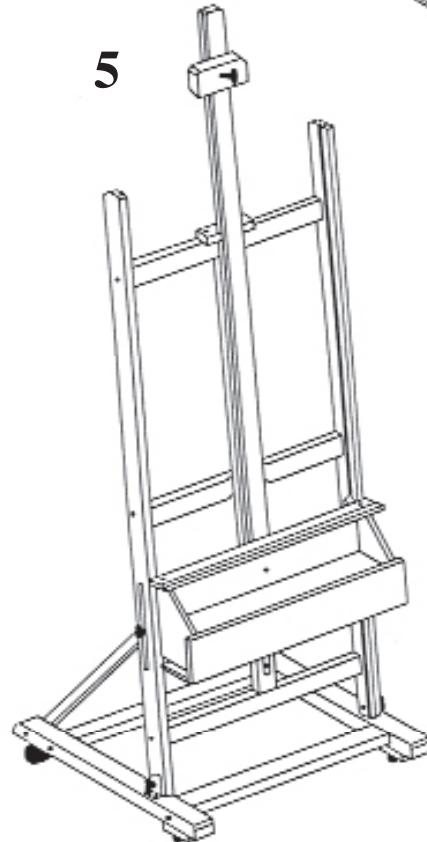
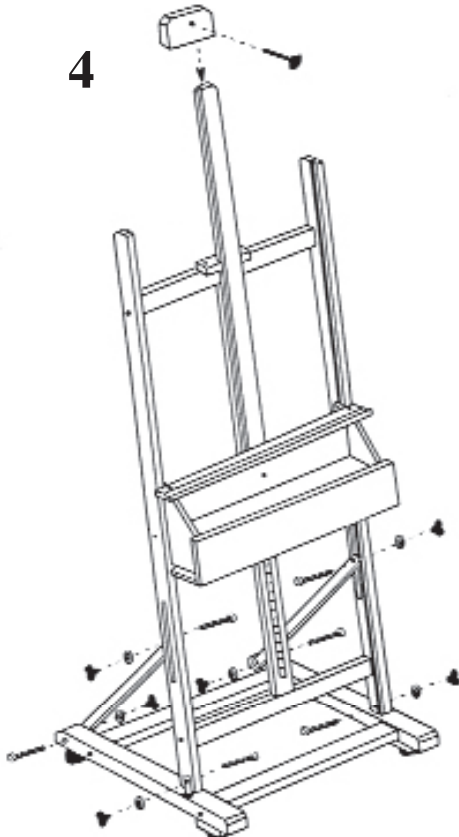
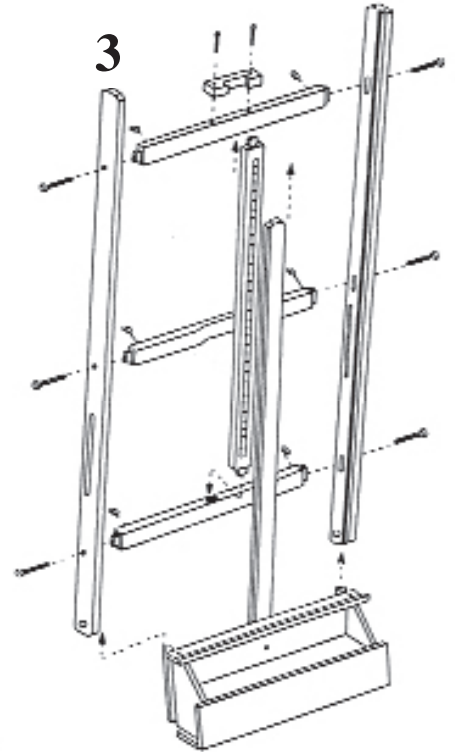
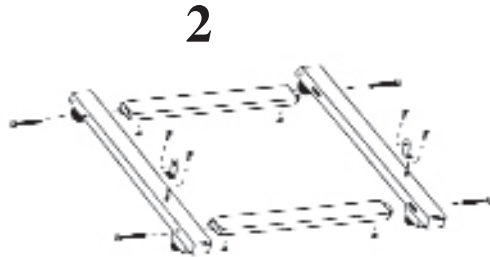
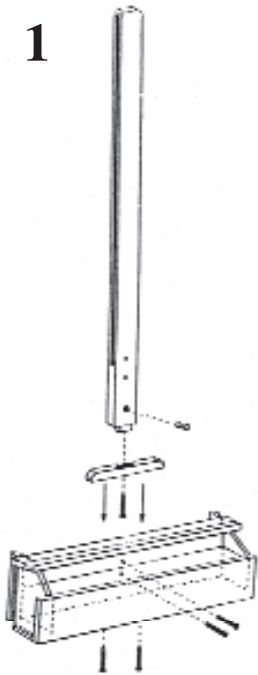
Jack Richeson
& Co., Inc.

HOW TO ASSEMBLE THE Appleton Easel

#886045 *Made from Lyptus® Wood*

Lyptus® is a registered trademark of Weyerhaeuser.

Imported Easels by Jack Richeson & Co., Inc. - Kimberly, WI - Phone: 1-800-233-2404 - www.richesonart.com 11/02





Jack Richeson
& Co., Inc.

HOW TO ASSEMBLE THE Appleton Easel

#886045 *Made from Lyptus[®] Wood*

Lyptus[®] is a registered trademark of Weyerhaeuser.

Imported Easels by Jack Richeson & Co., Inc. - Kimberly, WI - Phone: 1-800-233-2404 - www.richesonart.com

