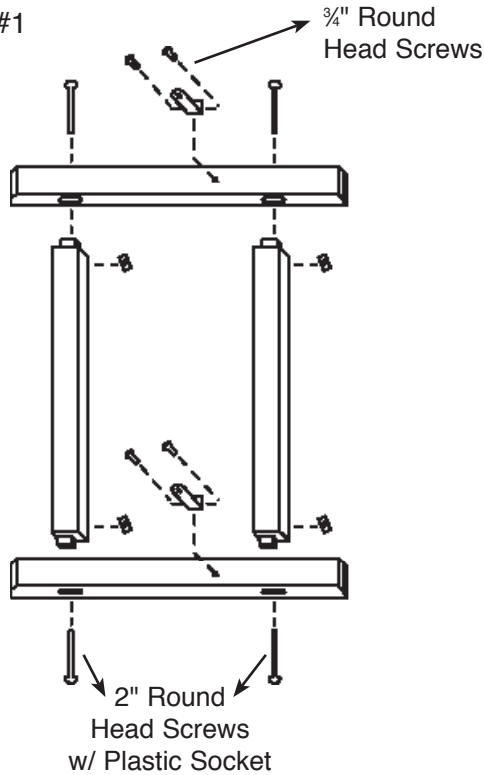
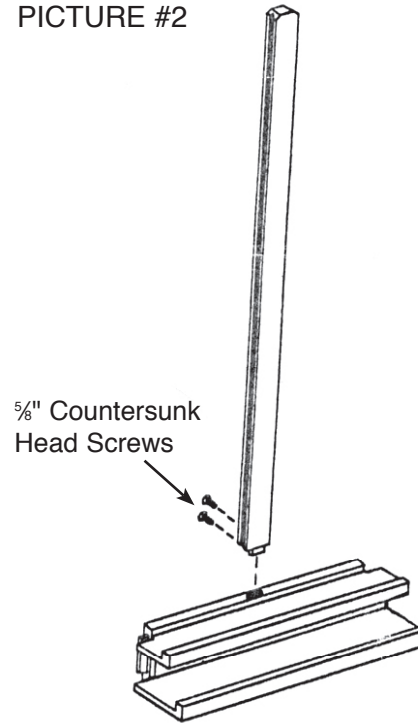


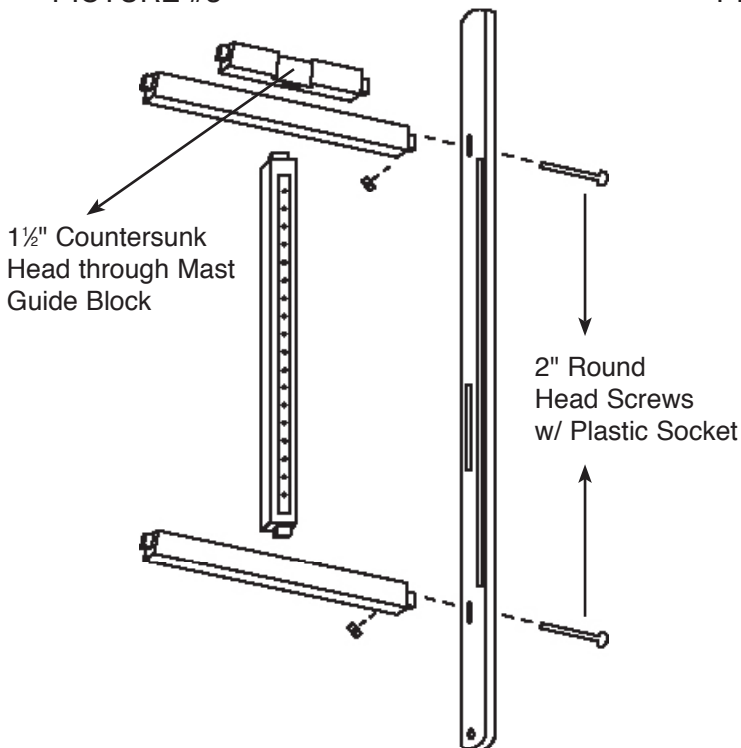
PICTURE #1



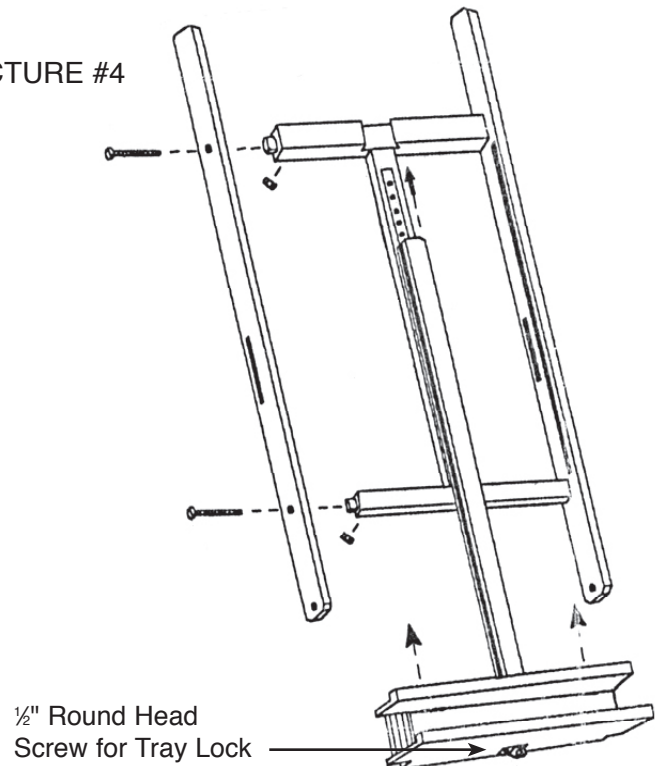
PICTURE #2



PICTURE #3



PICTURE #4





Jack Richeson
& Co., Inc.

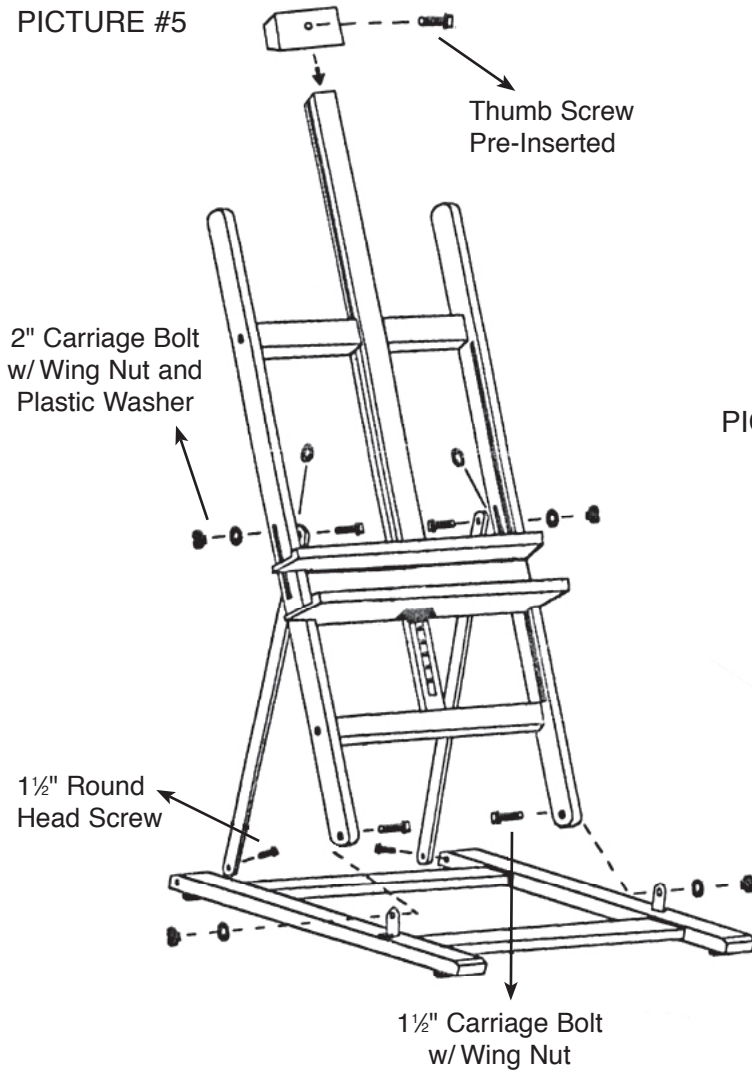
HOW TO ASSEMBLE THE Bassett Easel

#886044 *Made from Lyptus® Wood*

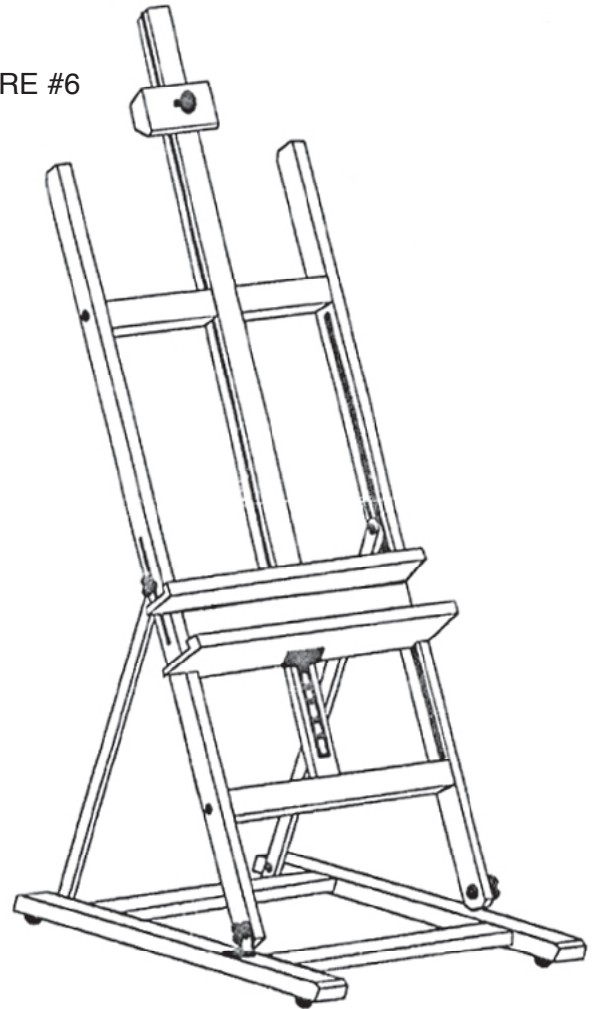
Lyptus® is a registered trademark of Weyerhaeuser.

Jack Richeson & Co., Inc. P.O. Box 60, Kimberly, WI 54136-0160 1-800-833-2378 fax:1-800-233-2545 richesonart.com

PICTURE #5



PICTURE #6



NOTE: To assure stability of easel, use wood glue.
Make sure the easel is put together correctly *FIRST*, before using glue to permanently insert wooden dowels.