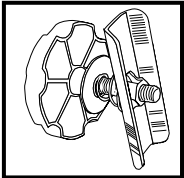


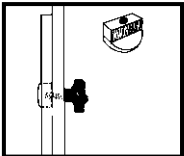
The Elevator Bolt Locking System is used on top trays on Best easels. The 2 metal plates and round plastic guide keep the parts parallel which

allows for smoothness and ease when the tray is moved into position. By tightening the knob, the circular plate will seal itself against the mast. This means ultimate stability for the canvas.



Height & tray adjustments unlock easily, yet lock into place & stay locked because of the Wedge-lok System. The metal plate features wedge-cut edges that conform

to the wedge-cut sections of the hardwood. When the knob is tightened, the inward tension pulls the metal plate snugly against the wood for a solid lock.

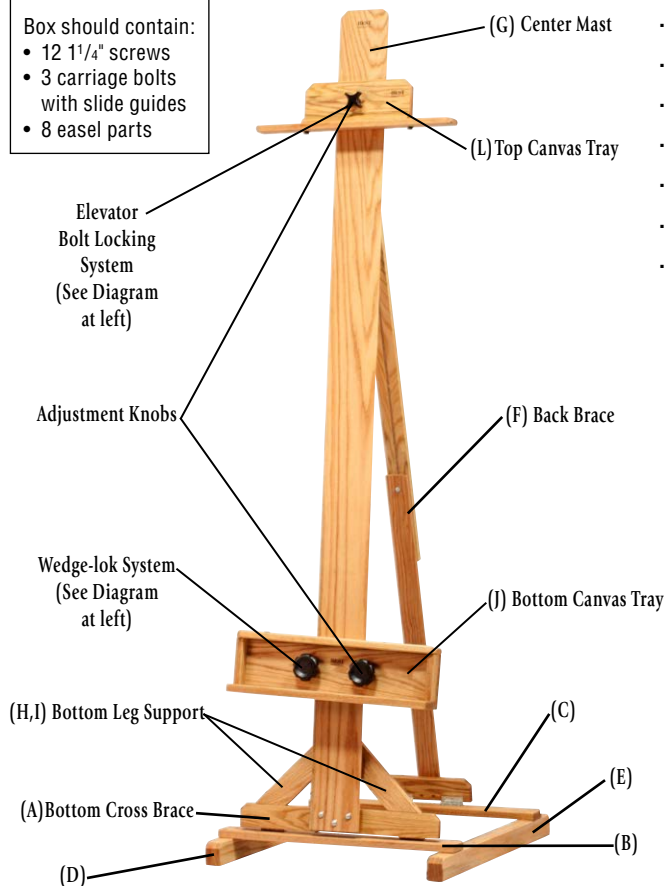


Slide Guides make angle and height adjustments on Best easels smooth. These circular graphite impregnated plastic inserts are used

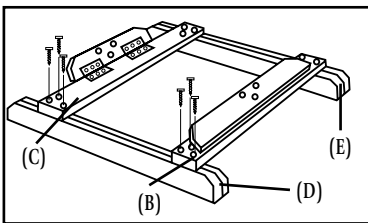
wherever there is a slot in the wood of the easel. This part allows for smooth movement and protects the hardwood from the metal bolt.

Box should contain:

- 12 1<sup>1</sup>/<sub>4</sub>" screws
- 3 carriage bolts with slide guides
- 8 easel parts

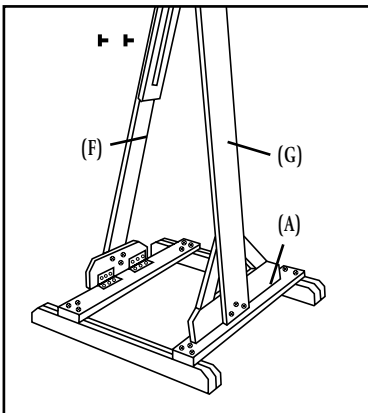


- Elegant single mast design
- Hand rubbed, oil finished solid oak
- Modest price range
- Ships unassembled
- Holds canvases up to 72" tall
- Folds flat for easy storage and mobility
- Adjusts easily to a variety of positions



1.) To assemble base lay **Part D & Part E** parallel to each other approximately 26" apart. Position **Parts B & C** crosswise over the top of **Parts D & E**, lining up the pre-drilled pilot holes. Attach using the 12 - 1<sup>1</sup>/<sub>2</sub> inch wood screws.

2.) Attach **Part F (Back Brace)** using 3 wood screws. Take **Part G (Mast)** and prop up in front of easel. You will attach it to **Part F** using the **Slide Guide** system. (See slide guide directions top left.) By doing this first it will aid in attachment of **Part G** to the base.



3.) Attach **Part G (Mast)** to **Part A** by using 3 Carriage Bolts & Wing Nuts. Be careful to align squared drilled area in wood with the square part of the carriage bolts. A gentle tap with a hammer may be necessary to get bolt all the way through. Secure carriage bolts with wing nuts screwed on the back. To complete base, align **Parts H & I** on pre-drilled holes and attach to **Part G & Part A** on both sides with wood screws.

4.) To mount **Part J (Painting Tray)**, slide on top of **Part G (Mast)** using the **Wedge-Lok System** (explained top left). To mount **Part L, (Top tray)** follow same procedure, except use the **Elevator Bolt Locking System** (explained top left).