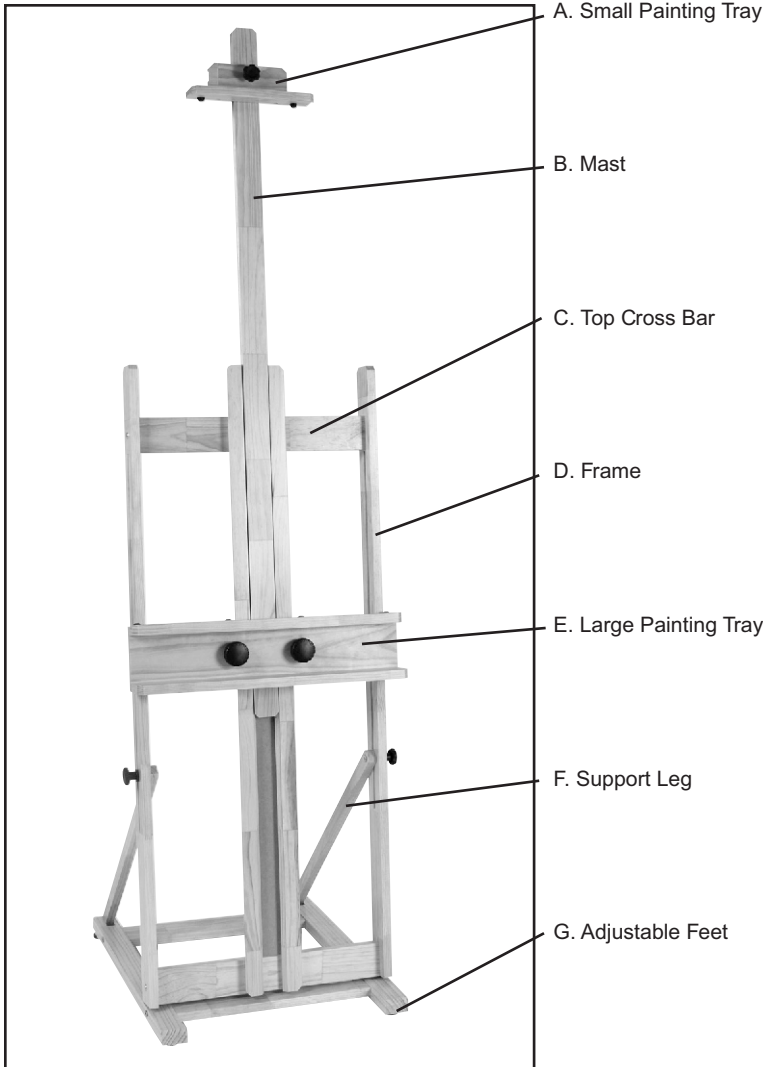
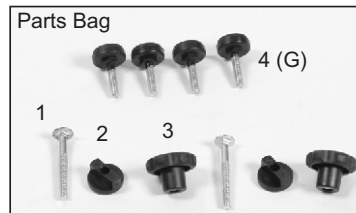


HOW TO ASSEMBLE THE Dulce Easel

#840200 Made from Lyptus® Wood
Lyptus® is a registered trademark of Weyerhaeuser.



Please open box, take out all pieces and check for damage before beginning assembly.



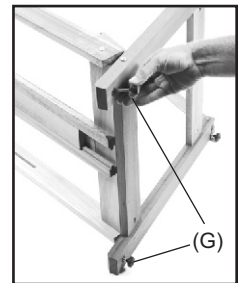
- 1. 2 - Bolts
- 2. 2 - Slide Guides
- 3. 2 - Black Plastic Knob
- 4. 4 - Adjustable Feet

Step One:

Lay Easel Frame on its side (D). Attach 4 adjustable feet. (G)

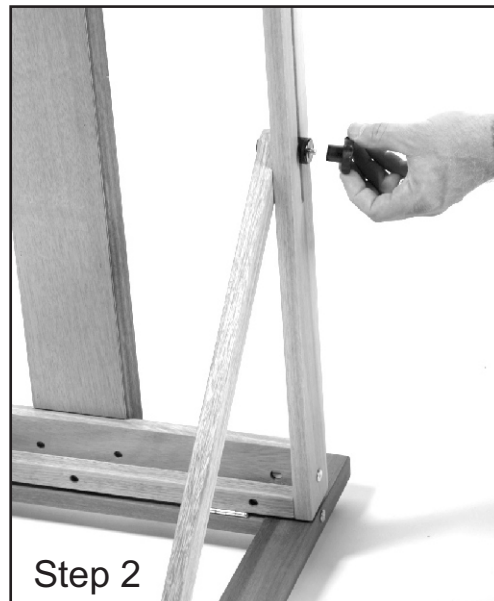


Step 1



Step Two:

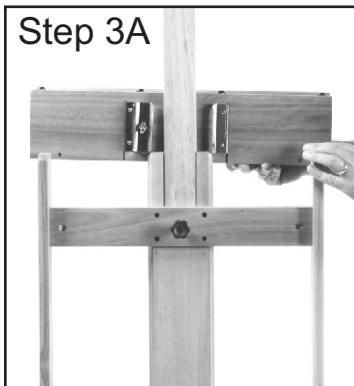
Stand easel upright. Attach back support leg (F) to frame (D) using 1 bolt, 1 slide guide and 1 black plastic knob. Repeat on other side.



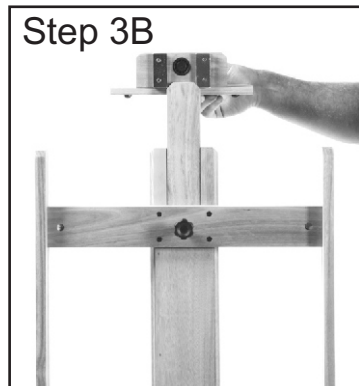
Step 2

Step Three:

- A. Slide Large Painting Tray (E) on to mast, tighten black knobs.
- B. Slide Small Painting Tray (A) on to mast, tighten black knob.



Step 3A



Step 3B